

A2SV Series Quick Start Guide

(A2SV-LW、 A2SV、 A2SV-W、 A2SV-PW)

Version: 1.1

2021-11-12

Content

A2SV Series Quick Start Guide	1
1. Packaging	3
2. Installation.....	3
3. Power up	9
4. Network Connection	10
5. Phone Configuration	11
6. Call function.....	12

1. Packaging

In the packaging box, we can see one IP phone, one handset, one bracket, two wall-hung brackets, one network cable, one handset cable, one USB power conversion cable and one 5V,2A power adapter.

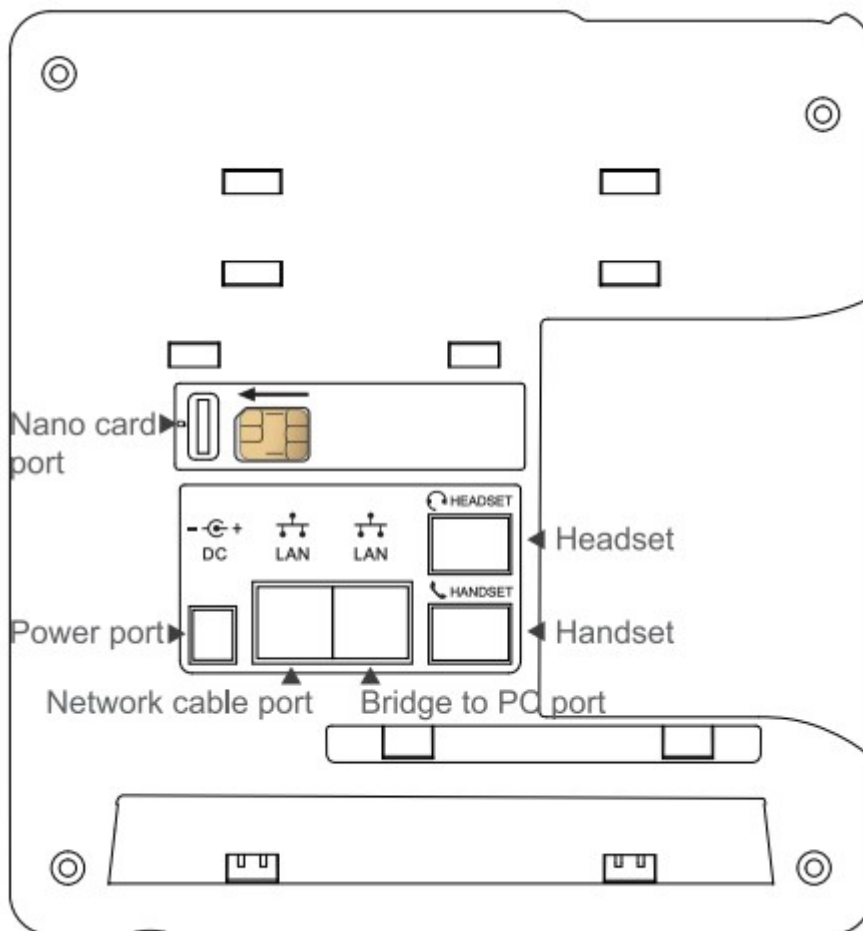
(Note: A2SV uses 5V/1A, other models use 5V/2A)

2. Installation

2.1. Connecting port introduction

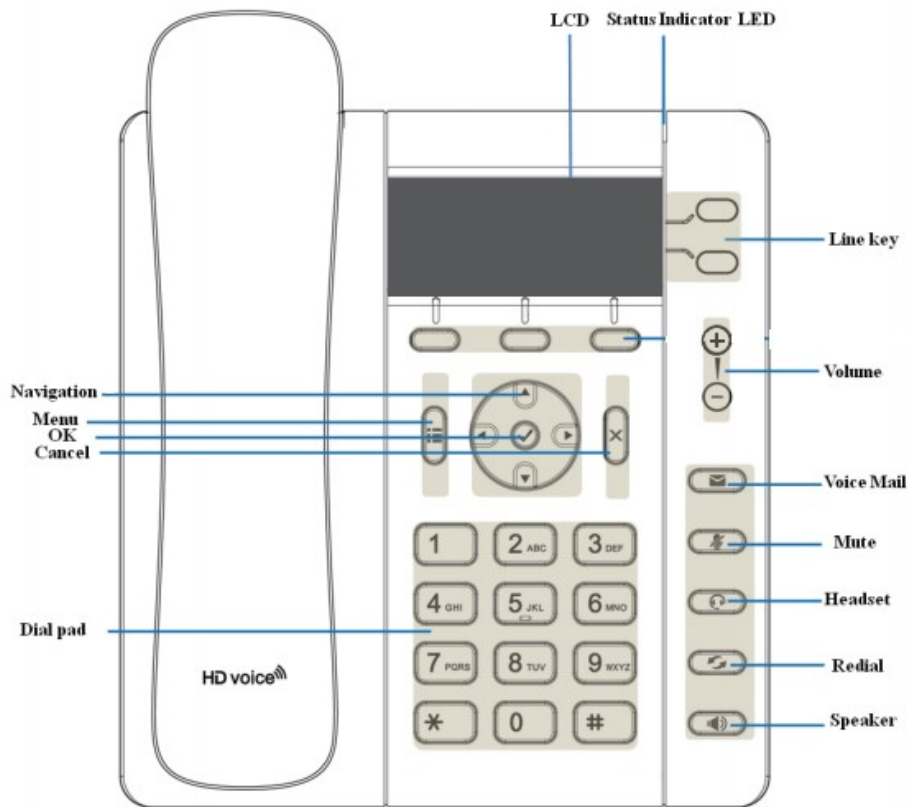
From as below picture show the connecting port and insert the standard Nano-SIM card into the back cover way:

(Note: please don't plug in and off Nano card when the phone connected power)



2.2. Keypad introduction,

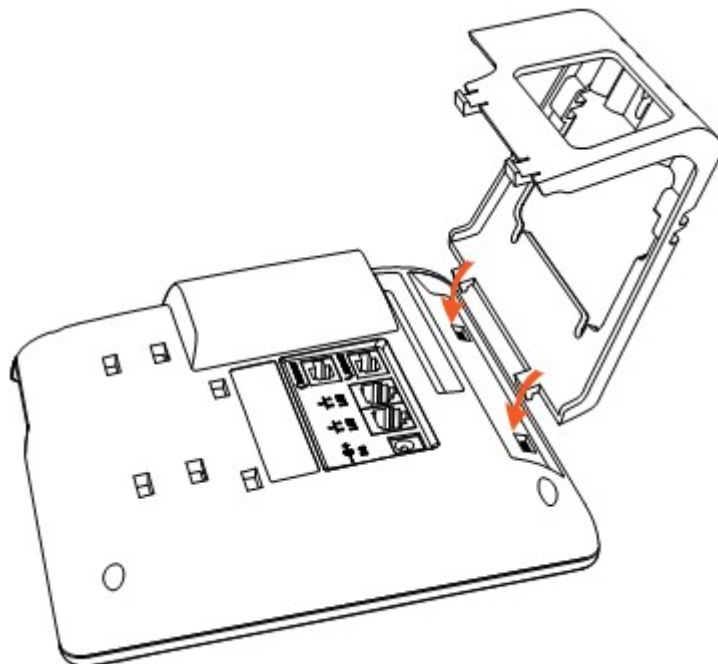
Please check the following picture:



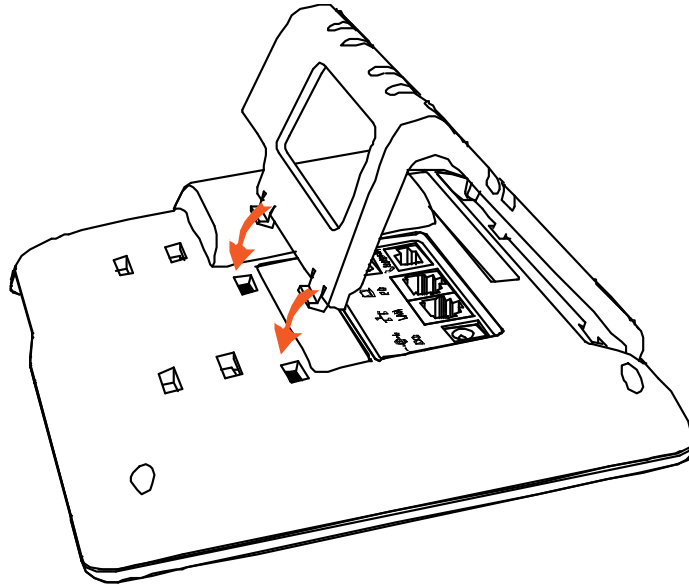
2.3 Installation instruction

2.3.1 Stand bracket installation instruction

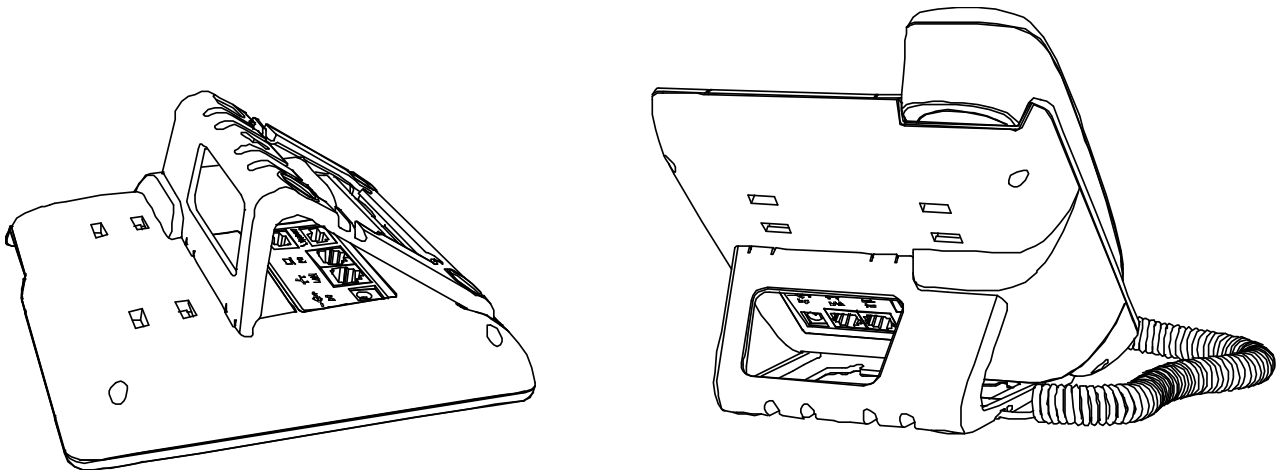
- A. Bottom up the IP phone and press one-side joints of stand bracket into the slot as below:



B. Press the other side joints into the slot according to the direction of the arrow:

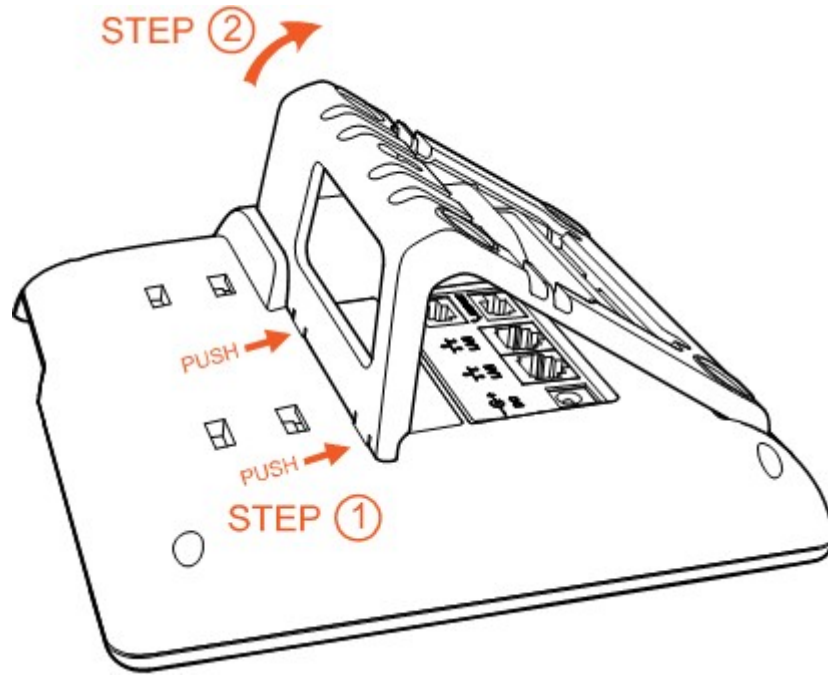


C. After installation, the picture is as below:



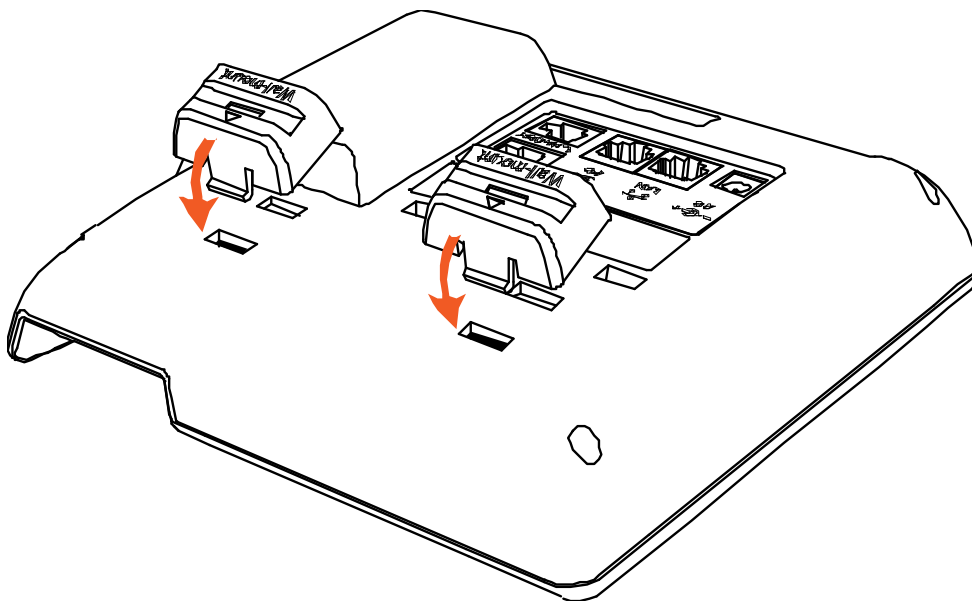
D. Remove the stand bracket:

Push the spring joint of stand and pull the stand according to the direction of the arrow. When the joints are pulled out of the slot, you can take off the stand bracket

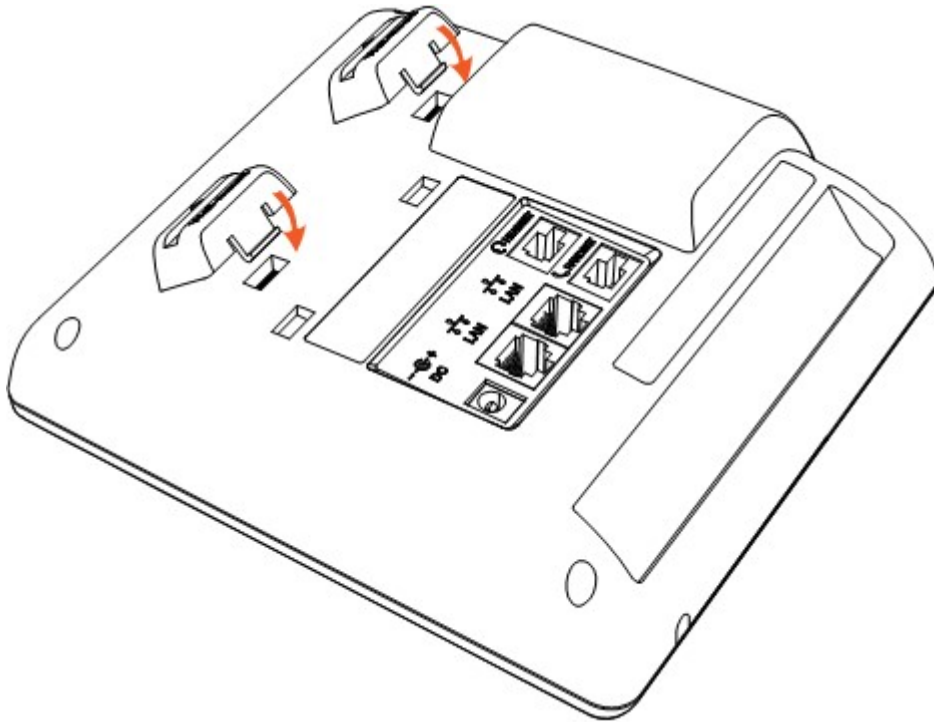


2.3.2 Wall-hung Installation

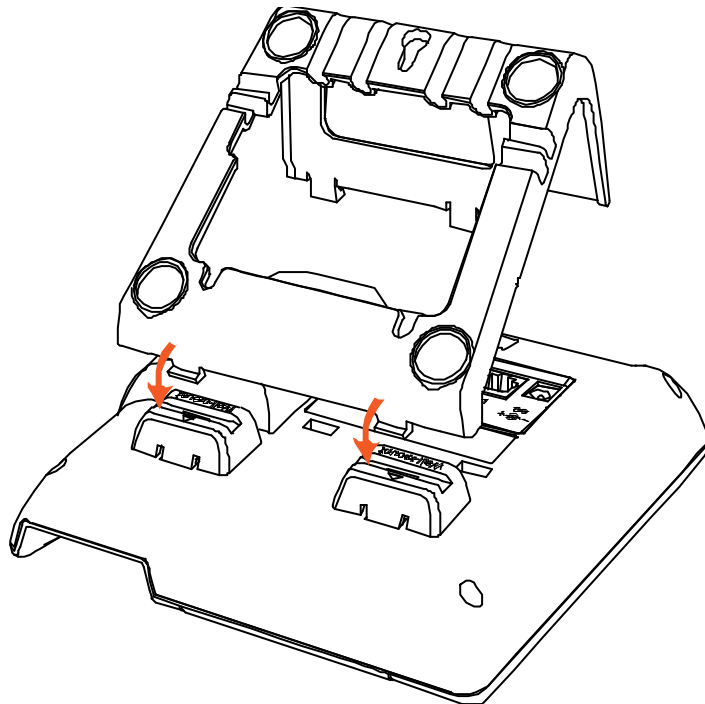
- A. Bottom up the IP phone and press one-side joints of wall-hung stand bracket into the slot as the picture below:



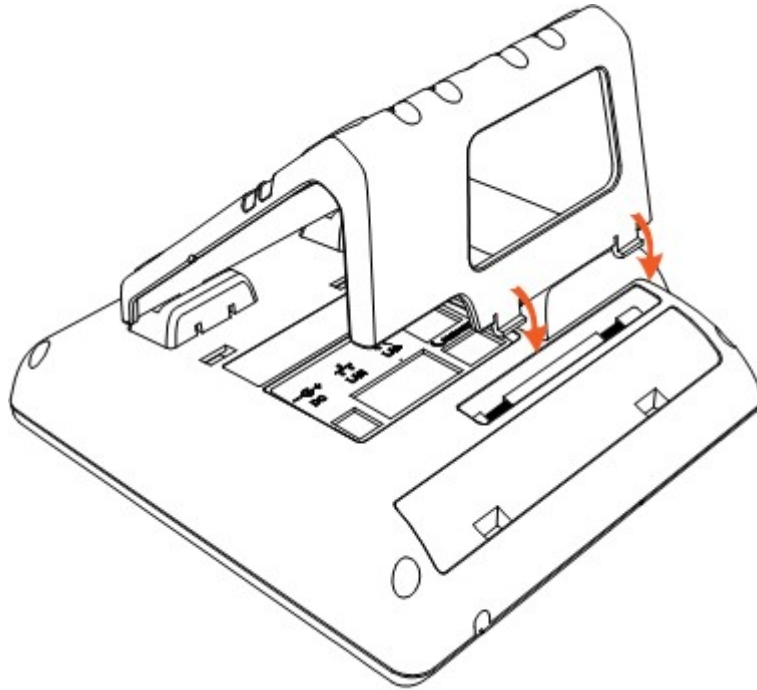
B. Press the other side joints into the slot according to the direction of the arrow



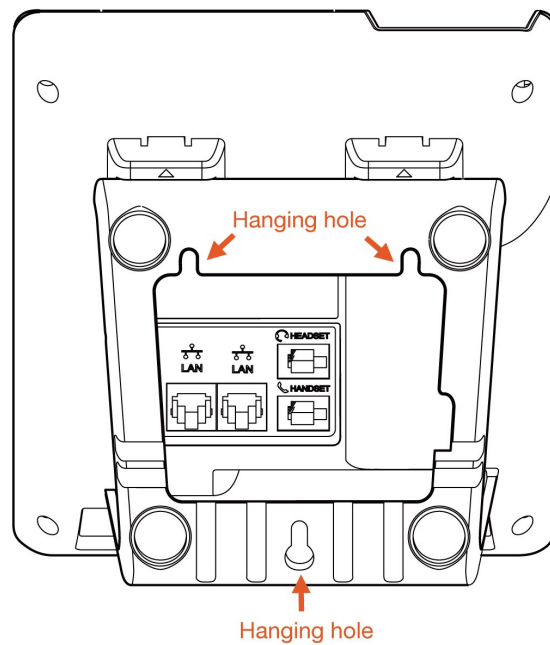
C. After install the wall-hung stand bracket, press one-side joints of stand bracket into the slot, please refer to the picture as below:



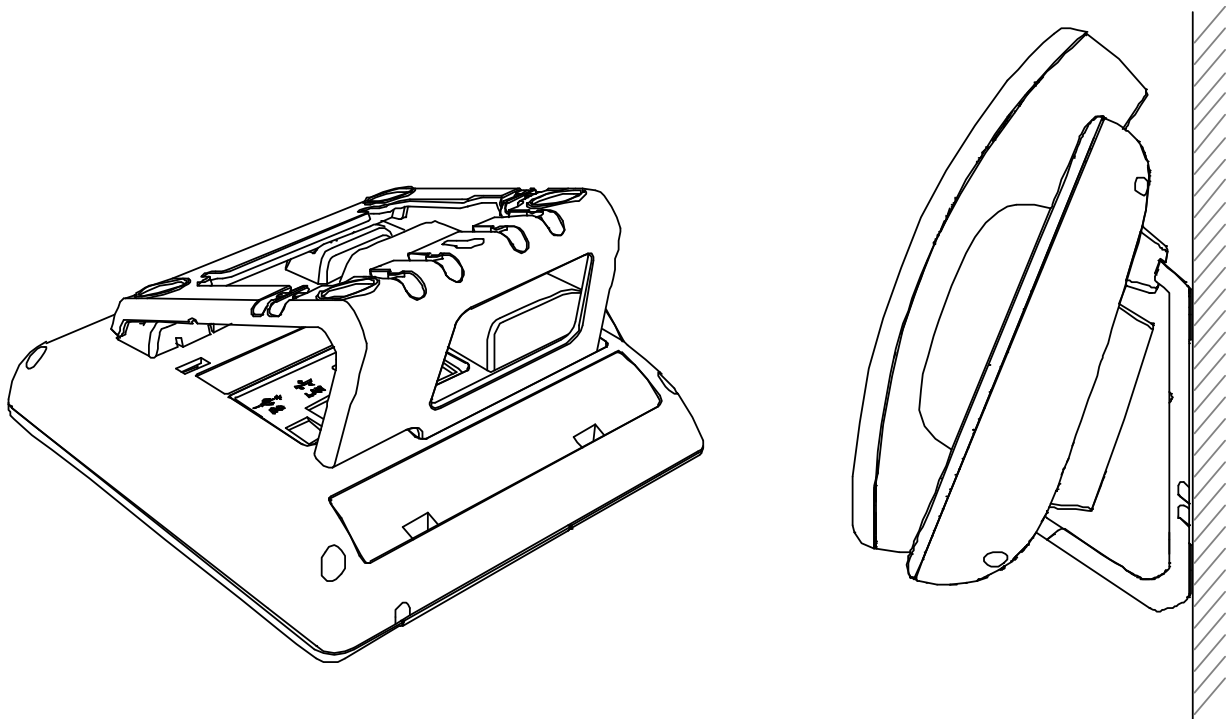
- D. Press the other side joints into the slot according to the direction of the arrow



- E. Knock in nails or screws on the wall according to the proportion of the distance between the hanging holes as below:

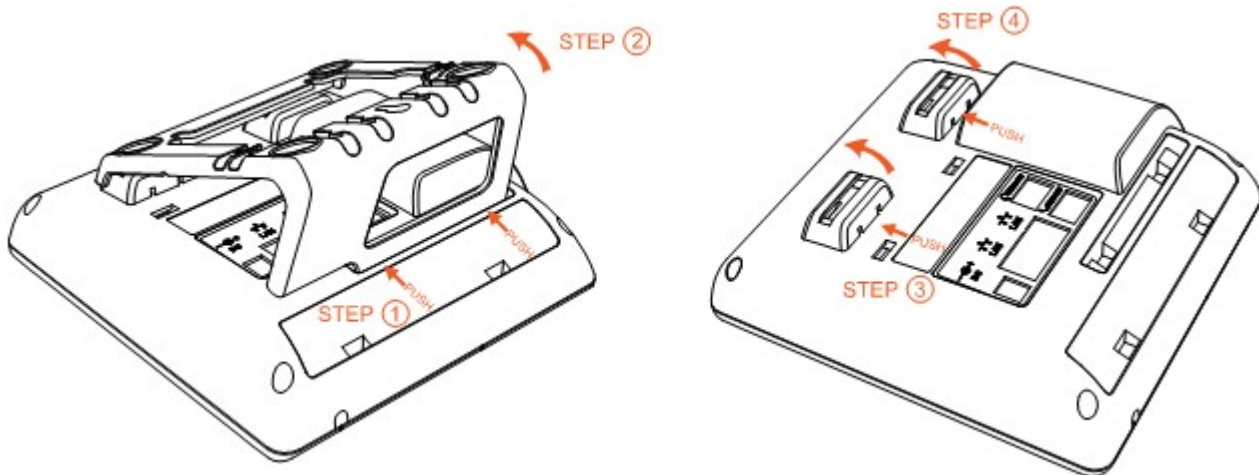


F. It is the right picture after fixing the stand bracket below:



G. Disassemble the stand bracket:

Push the spring joint of stand and pull the stand according to the direction of the arrow. According to the direction of the arrow:



3. Power up

- 3.1. Connect to DC 5V/2A power adapter (Note: A2SV uses 5V/1A, other models use 5V/2A)
- 3.2. The status indicator will be on during power-on, and the Welcome dialog will appear on the LCD.
- 3.3. After boot up finished, User can select the Language and time zone manually, and LTE

setting.



- 3.4. If the **PIN code** is enabled on the SIM card, after entering the standby interface, you will be asked to enter the **PIN code**.
According to the network service provide requirement: you need to enter the correct PIN code within three times. Otherwise, the card will be automatically locked and the **PUK code** will be prompted to unlock.
- 3.5. If the SIM card need input APN code, you can press **Menu** → **Setting** → **Advanced Setting** → **Network** → **APN setting**, choose “**Enable**” **custom APN**, and press **Navigate down** button to input APN account info.

4. Network Connection

4.1.1 Connect to LTE network

The phone insert the SIM card, and get the LTE or 3G network after the phone power on. When the phone is successfully connected to the network, the LCD would appear the icon



4.2. Connect to Wi-Fi network (the phone must support Wi-Fi model)

4.2.1 Wi-Fi hotspot (Wi-Fi AP) mode

The phone turns on the Wi-Fi hotspot (Wi-Fi AP) function by default, the LCD would appear the icon




The **initial SSID** and **password** of the hotspot can be viewed on the sticker on the phone

back cover.

Please press **Menu→Wi-Fi Settings→ Hotspot**, you can choose to turn on or off the hotspot, and press the down navigation key to view or modify the initial name and password.

4.2.2 Wi-Fi network card mode

Please press **Menu→Wi-Fi Settings→WLAN**, select the Wi-Fi SSID and input the password, then press the Connect button, the phone would connect the Wi-Fi and the LCD

would show the icon 

(Note: Hotspot and Wi-Fi function cannot be used at the same time)

4.3. LAN port instructions (the phone need to support the LAN port model)

When the phone is on an LTE network or connecting the Wi-Fi WLAN, the LAN port supports the routing feature, and other devices can get the network by connecting to the phone LAN port.

5. Phone Configuration

5.1. Configuration via WEB

5.1.1 Access the phone WEB via LAN port or Wi-Fi hotspot

After the computer obtains the network through the LAN port or Wi-Fi hotspot, then enter the phone's internal default IP address **192.168.255.1** in the browser to access the Web.

5.1.2 Access WEB via Wi-Fi WLAN mode

On the phone LCD status, press the **status (✓) button** → press **the navigation down button** to view the current Wi-Fi IP address, then enter the IP address, and access the Web.

5.1.3 In the web interface, enter the default user name and password to login

User Name	Password	Description
admin	admin	For Administrators
user	user	For General Users

5.2. Configuration via LCD

On the phone LCD status, press the **Menu button**, enter the **Main Menu** mode to configure the phone feature.

6. Call function

6.1 Model description

The phone is divided into a version that supports SIP calls, a version that supports VoLTE calls, and a version that supports SIP and VoLTE dual-mode calls. Users need to confirm with the sales the call modes.

6.2 VoLTE call (need to support VoLTE model)

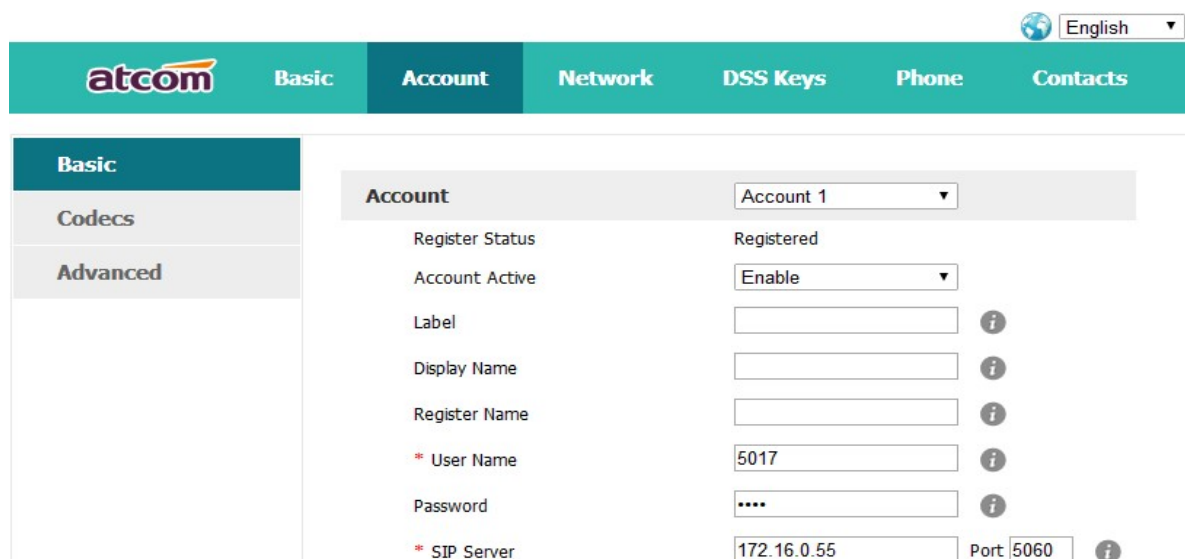
- 1) The SIM card needs to support VoLTE.
- 2) The default call mode is used VoLTE
- 3) The phone support VoLTE call also support 2G and 3G models

6.3 SIP call (need to support SIP call model)

Register a SIP account through the Web or LCD. After the registration is successful, you can use the SIP account to make SIP calls.

6.3.1. WEB configuration

Refer to Section 5.1 above to access the phone web, click the **Account**→**Basics**, and then configure phone accounts



The screenshot shows the web configuration interface for an Atcom phone. The top navigation bar includes the Atcom logo and tabs for Basic, Account, Network, DSS Keys, Phone, and Contacts. The 'Account' tab is selected. On the left, a sidebar menu shows 'Basic' (selected), 'Codecs', and 'Advanced'. The main content area is titled 'Account' and shows a dropdown menu for 'Account 1'. Below this, several configuration fields are listed:

Register Status	Registered
Account Active	Enable
Label	<input type="text"/>
Display Name	<input type="text"/>
Register Name	<input type="text"/>
* User Name	5017
Password
* SIP Server	172.16.0.55 Port 5060

6.3.2. LCD configuration

Press **Menu** → **Settings** → **Advanced Settings** (default password is admin) →

Account, then input the phone account information

6.4 Precautions for the SIP and VoLTE dual-mode models

- 1) When the phone makes a call, the default is to use the VoLTE mode. If you need to switch the SIP mode, you can press the **navigation left and right buttons** to switch the default call mode or press the **Line button** to select the SIP account and make the call.
- 2) When the phone is in a call, there is a new incoming call, you can press **Hold button** to hold the current call and then answer the new call. After hanging up the new call, press **Hold** to resume the current call.